



Mounting Bracket User Manual



CONTENTS

Package Contents3

Mounting the Verizon Router to A Wall3

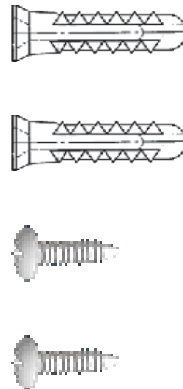
General Specifications9

Package Contents

PACKAGE CONTENTS

Your package contains:

- Mounting Bracket
- Wall screws (2)
- Wall anchors (2)



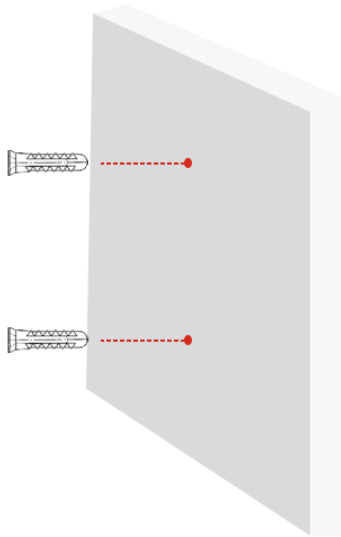
MOUNTING THE VERIZON ROUTER TO A WALL

For optimum performance, the Verizon Router is designed to stand in a vertical upright position. Verizon does not recommend wall

mounting the Verizon Router. However, if you wish to mount your Verizon Router, you can purchase a wall mount bracket from the Verizon Accessories Store at [verizon.com/home/accessories/networking-wifi](https://www.verizon.com/home/accessories/networking-wifi)

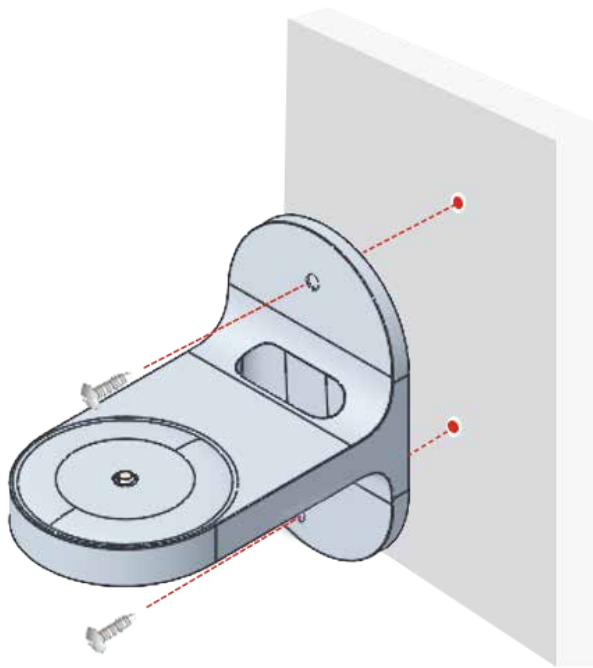
To mount your Verizon Router to a wall:

1. Select a mounting spot near a power outlet and the Ethernet port of the device that provides internet on your premises.
2. Mark screw hole positions on the wall. Drill holes for the wall anchors using a 1/4 inch (6.35 mm) drill bit.
3. Insert the wall anchors in the drilled holes and hammer until they are flush with the wall.

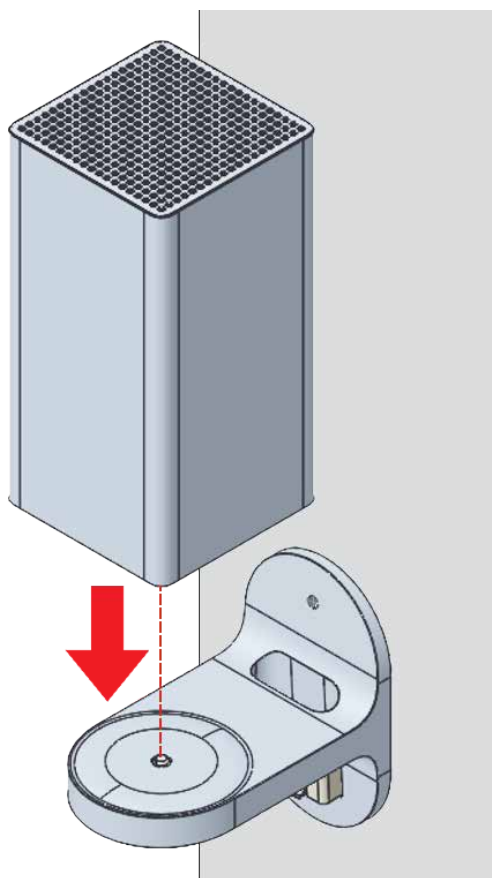


Mounting the Verizon Router to A Wall

4. Place the screws into the small holes of the bracket and tighten the screws into your wall for securing the wall mount bracket.

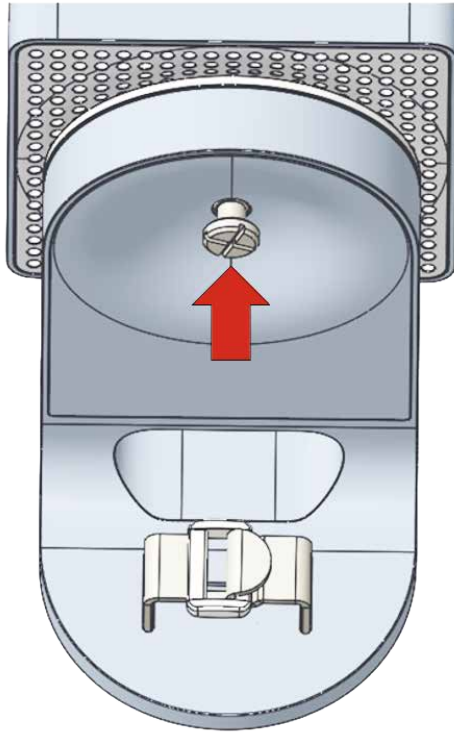


5. Align the mounting hole located on the bottom of the router to the screw of the wall mount bracket.

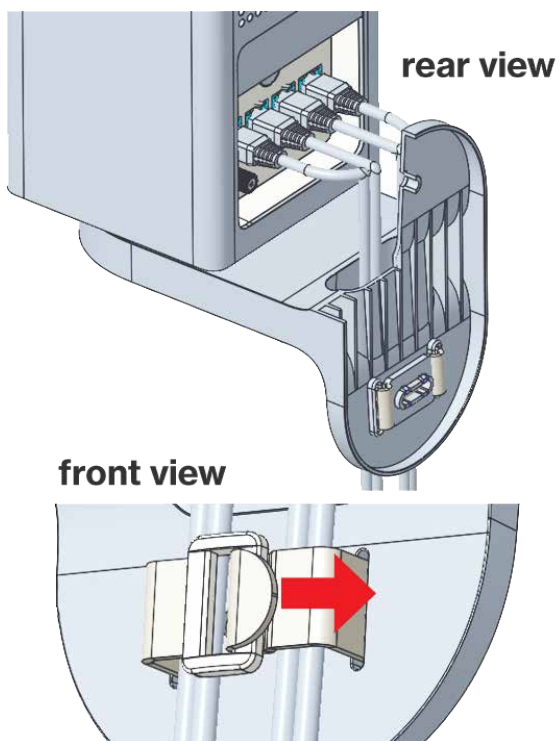


Mounting the Verizon Router to A Wall

6. Rotate and align the router to the preferred position. While using the hole in the mounting bracket, connect the Ethernet cable providing internet to the router's WAN port and other cables as needed. Tighten the bracket screw to lock the device in place.



7. To fasten the attached cables of the router, manage the cables, then tighten the Velcro® strap with buckle.



General Specifications

GENERAL SPECIFICATIONS

Model Number: FIZVR7614001J

Bracket: Size: 3.97" wide x 6.86" high x 6.6" deep

Weight: 0.39 lbs / 175 g

Screw: PH TP+N: 0.157" x 0.984"

Anchor: PE0.236" x 0.984"

Verizon Router (unit with bracket):

Size: 4.72" wide x 13.56" high x 7.22" deep

Weight: 3.35 lbs / 1.519 kg